

GRENADIER Plankit planter system



ANGLED END UNITS

General

The Grenadier Plankit planter system is a cost effective product suitable for creating simple raised planting areas.

The system comprises of wall panels, that are supplied flat-packed to be bolted together on site. If required, corner units can be included as well as angled end sections, to suit the site requirements.

As standard the components are manufactured in FSC Certified treated redwood. As an optional extra walling sections can be supplied in FSC Certified iroko hardwood.

Construction

The Angled End unit comprises of 1 End Wall and 2 Side Wall units supplied ready to be bolted together on site. They are manufactured to suit the end angle of the planter required on site. The inside of the panel is lined with a Terram 1000 geotextile lining, that allows water to drain through whilst retaining the soil fines.

Integral bench seating

If required, optional bench seating can be added to your raised planter. Bexley 4 slat benches can be fitted to the top or side of the planter. As standard the benches are available in 3 lengths.

Optional planter accessories

Tree anchors

25x5mm mild steel flat, hot dip galvanised.

Watering system

Choose either the Street Design reservoir system or the Mona tank system. See Watering System page for full details.

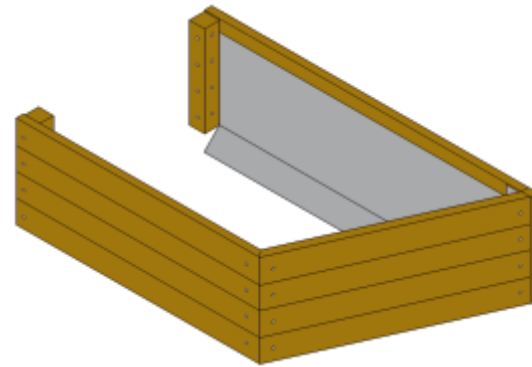
Timber Slatted Screens

Timber slatted screens can be manufactured as an integral part of the planter construction. The side wall unit posts can be extended to facilitate the horizontal 70x32mm section slats.

Street Design Limited

Unit 35
Hayhill Industrial Estate
Barrow upon Soar
Leicestershire LE12 8LD

Contact us:
Telephone: 01509 815335
Fax: 01509 815332
Email: sdl@street-design.com
Web site: www.street-design.com



Optional planter accessories

Trellis panels

Trellis panels can be manufactured as an integral part of the planter construction. The corner post can be extended to carry the horizontal and vertical trellis timber slats.

Guarantee

All planters are guaranteed for 15 years minimum. This guarantee is a minimum and is dependant on the product not being misused or abused. All the materials, treatments and construction will allow for a life expectancy considerably longer than this.

General specification

Materials

Hardwood products are constructed using FSC Certified iroko hardwood.
Softwood products are constructed using FSC Certified European redwood.

Treatments

FSC Certified treated softwood will be Wolmanit CX treated, for a desired service life of 30 years minimum.

FSC Certified iroko hardwood is naturally durable and does not require treatment.

General specification

All mild steel fabricated components will be hot dip galvanised after fabrication to BS EN ISO 1461:2009.

All mild steel fixings will be bright zinc plated.

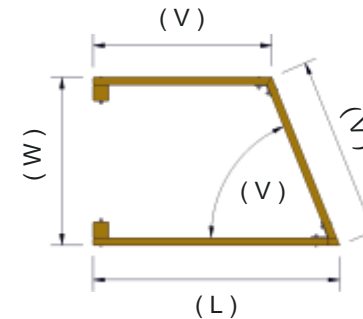
Finishes

FSC Certified treated softwood and iroko hardwood will be left natural to reduce the need for re-staining and help reduce maintenance costs. If required, timber planters can be supplied with a stained finish using 3 coats of quick drying water based wood stain, to the colour of your choice.

Lining

Planter units will be lined with a Terram 1000 geotextile filter fabric lining, which allows the water to drain through the planter, while retaining the fill material.

Product Dimensions



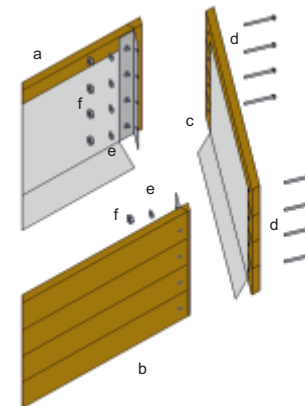
Unit reference	(L)	(W)	Heights
KPGRAE0505	2000mm	500mm	580mm
KPGRAE1005	2000mm	500mm	1015mm
KPGRAE0510	2000mm	1000mm	580mm
KPGRAE1010	2000mm	1000mm	1015mm
KPGRAE0515	2000mm	1500mm	580mm
KPGRAE1015	2000mm	1500mm	1015mm

Note:

(V) angle and dimensions will vary to suit site requirements.

Other lengths and heights can be manufactured to suit your specific area.

Installation



Assembly

After fixing Angled Side Walls (a + b) position Angled End Wall unit (c) up to the brackets of the Side Wall units (a + b) ensuring the pre-drilled holes line up with the mild steel angled corner brackets.

Pass all M12 x 65mm long bolts (d) through Angled End Wall unit (c) and the steel bracket of Side Wall units (a + b).

Fit M12 washers (e) and M12 hex full nuts (f) and tighten.

Ensure the assembled unit is plumb.