

GRENADIER Plankit planter system



Street Design Limited

Unit 35
Hayhill Industrial Estate
Barrow upon Soar
Leicestershire LE12 8LD

Contact us:
Telephone: 01509 815335
Fax: 01509 815332
Email: sdl@street-design.com
Web site: www.street-design.com



BENCH UNITS

General

The Grenadier Plankit planter system is a cost effective product suitable for creating simple raised planting areas.

The system comprises of wall panels, that are supplied flat-packed to be bolted together on site. If required, corner units can be included as well as angled end sections, to suit the site requirements.

As standard the components are manufactured in FSC Certified treated redwood. As an optional extra walling sections can be supplied in FSC Certified iroko hardwood.

Construction

The Bench units comprise of a 4 slat bench top with 70x45mm section timber slats bolted to steel brackets.

The mild steel support brackets are fully welded construction with a hot dip galvanised finish.

Integral bench seating

Bexley 4 slat benches can be fitted to the top or the side of the planter. As standard the benches are available in 3 lengths.

Guarantee

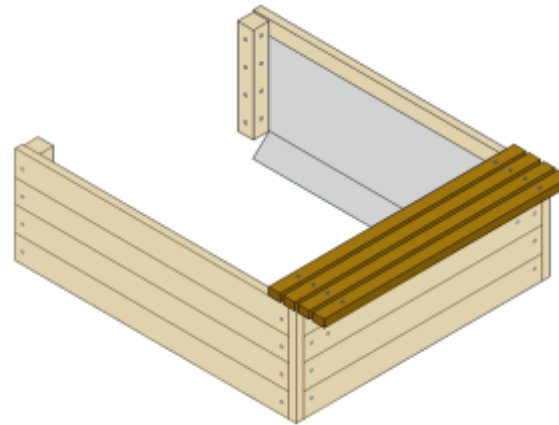
All products are guaranteed for 15 years minimum. This guarantee is a minimum and is dependant on the product not being misused or abused. All the materials, treatments and construction will allow for a life expectancy considerably longer than this.

Material specification

Materials

Hardwood products are constructed using FSC Certified iroko hardwood.

Softwood products are constructed using FSC Certified European redwood.

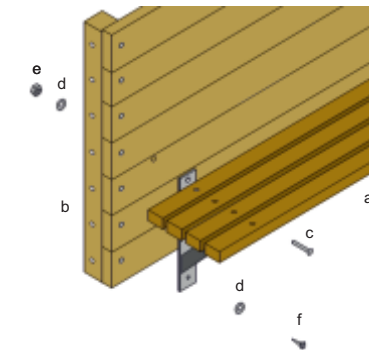


Product Dimensions

| length | Side Bench Unit | Length | Width |
|--------|-----------------|--------|-------|
| | KPSB10 | 1000mm | 340mm |
| | KPSB15 | 1500mm | 340mm |
| | KPSB20 | 2000mm | 340mm |
| | Top Bench Unit | Length | Width |
| | KPTB10 | 1000mm | 340mm |
| | KPTB15 | 1500mm | 340mm |
| | KPTB20 | 2000mm | 340mm |

Other lengths and heights can be manufactured to suit your specific area.

Installation



Side Bench assembly

Position Side Bench unit with brackets (a) against wall unit (b) ensuring the top slot in the steel bracket lines up with pre-drilled hole in wall section.

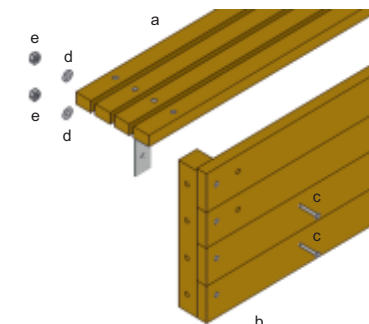
Pass M10 x 65mm bolts (c) through steel brackets and into wall unit.

Fit M10 washers (d) and M10 hex full nuts (e) on the inside of planter and tighten.

Using M8 x 40mm coachscrew (f) and M10 washer (d), fix bottom of bracket to planter wall.

Ensure the bench is level.

Installation



Top Bench assembly

Position Top Bench unit with brackets (a) onto wall unit (b) ensuring the slots in the steel brackets line up with pre-drilled holes in wall section.

Pass M10 x 65mm bolts (c) through the wall unit and the internal steel brackets. Bench brackets are on the inside of the planter.

Fit M10 washers (d) and M10 hex full nuts (e) to the bracket bolts and tighten.

Ensure the bench is level in both directions.

Timber Treatment

Treatment

FSC Certified treated softwood will be Wolmanit CX treated, for a desired service life of 30 years minimum.

General specification

Optional FSC Certified iroko hardwood is naturally durable and does not require treatment.

All mild steel fabricated components will be hot dip galvanised after fabrication to BS EN ISO 1461:2009.

All mild steel fixings will be bright zinc plated.

Finishes

FSC Certified treated softwood and FSC Certified iroko hardwood will be left natural to reduce the need for re-staining and help reduce maintenance costs. If required, timber planters can be supplied with a stained finish using 3 coats of quick drying water based wood stain, to the colour of your choice.