

BEXLEY seating

PRODUCT DETAILS

Bexley seat with back

The Bexley seat consists of seating slats bolted onto metal seat legs and is available with a fully integral armrests.
The seat is available with a choice of materials and finishes to suit your scheme and budget.

Materials

Slats - can be either FSC treated redwood, FSC iroko hardwood or mild steel RHS.
Legs and armrests - can be either mild steel or stainless steel.

Finishes

Timber - as standard, will be supplied with a natural finish.
Mild steel - as standard, will be supplied with a hot dip galvanised finish.
Stainless steel - as standard, will be supplied with a dull polished (brushed) finish.

Options

Choose the seat length, material, finishes and installation type.

Accessories

Choose from optional armrests, anti-skating studs and LED lighting.

Delivery

The seats will be factory assembled and delivered to site fully assembled, for off loading and placing in position.

Street Design Limited

Unit 47
Hayhill Industrial Estate
Barrow upon Soar
Leicestershire LE12 8LD

Contact us:
Telephone: 01509 815335
Fax: 01509 815332
Email: sdl@street-design.com
Web site: www.street-design.com

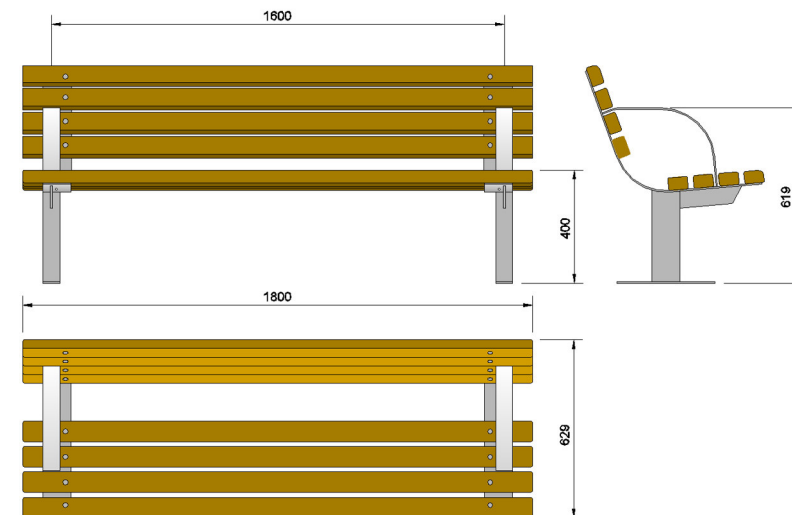


Bexley seat in natural finish FSC treated redwood slats on galvanised mild steel seat legs with standard armrests.

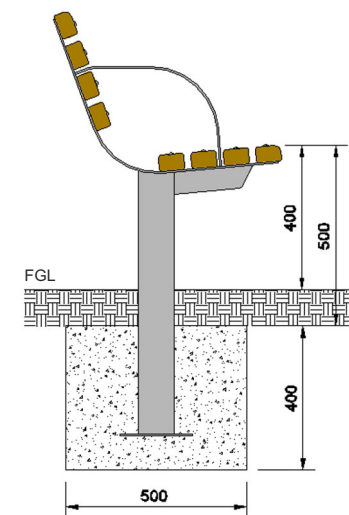


Bexley seat with stained finish FSC iroko hardwood slats on galvanised mild steel seat legs with standard armrests.

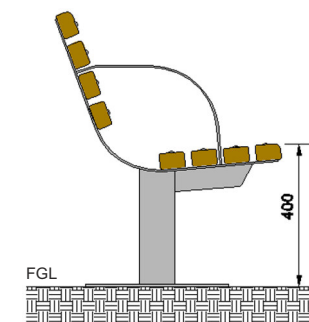
Overall dimensions



Installation options



Below ground installation
The assembled Bexley seat will be set into concrete foundations 500x400x400mm deep.



Above ground installation
The assembled Bexley seat will be secured to the finished ground level with suitable fixings for the surface type.